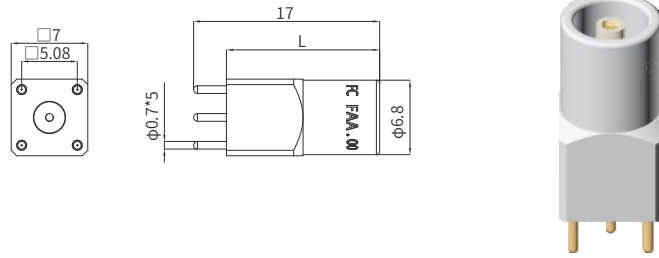


### ■ FAA Straight Socket For Printed Circuit

- Connector series: FAA-FAB
- Contact: Female print PCB
- Locking type: Self-locking
- Orientation type: Straight
- Part No.: FAA/FAB.00.250.NTN
- Mated with: PSA/PSC/PMS/PAS/PAV



### ■ General Information

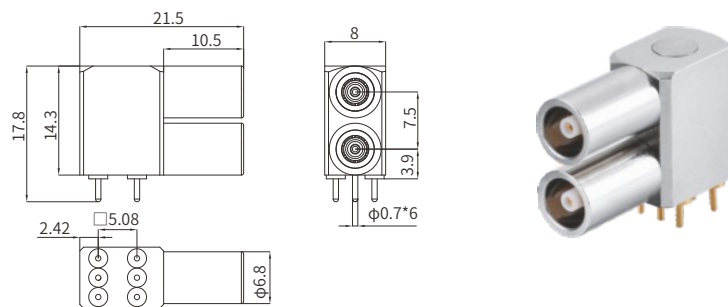
Ambient temperature:	-55°C ~ + 260°C	Rated current:	4A
Endurance:	>5000 cycles	Insulator resistance:	≥100MΩ
Insulator:	PTFE	VSWR:	1.09+0.11*f/GHz
Connector contacts:	Brass with gold plated	IP rating:	IP 50
Housing:	Brass with nickel plated	Shielding efficiency:	at 10MHz>75dB/at 1GHz>40dB
Impedance:	50Ω	Salt spray corrosion test:	>144h
Operating Voltage:	0.7k V		

Part number	L(mm)	Weight(g)
FAA.00.250.NTN	14	3.4
FAB.00.250.NTN	12	3.3

PCB drilling pattern (page 171)

### ■ FAY Elbow Socket (90°) for Printed Circuit, With Two Vertical Sockets

- Connector series: FAY
- Contact: Female print PCB
- Locking type: Self-locking
- Orientation type: Angled
- Part No.: FAY.00.250.NTN
- Mated with: PSA/PSC/PMS/PAS/PAV



### ■ General Information

Ambient temperature:	-55°C ~ + 260°C	Rated current:	4A
Endurance:	>5000 cycles	Insulator resistance:	≥100MΩ
Insulator:	PTFE	VSWR:	1.09+0.11*f/GHz
Connector contacts:	Brass with gold plated	IP rating:	IP 50
Housing:	Brass with nickel plated	Shielding efficiency:	at 10MHz>75dB/at 1GHz>40dB
Impedance:	50Ω	Salt spray corrosion test:	>144h
Operating Voltage:	0.7k V		

Part number	Weight(g)
FAY.00.250.NTN	12.8

PCB drilling pattern (page 171)